



One vision, Two sharp eyes with Our Innovation

MR-6000

Multifunction Unit

MR-6000 SPECIFICATIONS

Measurement performance

Refractive power measurement

Spherical refractive power	-30.00 D to +25.00 D (VD = 12.0 mm)
Cylindrical refractive power	0 D to +/-12.50 D (VD = 12.0 mm)
Astigmatic axis	0° to 180°

Corneal curvature measurement

Corneal curvature radius	5.00 mm to 13.00 mm
Corneal astigmatic axis	0° to 180°

Intraocular pressure measurement

Measurement range	1 mmHg to 60 mmHg (1 hPa ~ 80 hPa)
-------------------	------------------------------------

Corneal thickness measurement

Measurement range	300 μm to 800 μm
-------------------	------------------

Corneal shape measurement

Corneal curvature radius	5.50 mm to 10.00 mm
Corneal astigmatic axis	0° to 180°

Auxiliary functions

Interpupillary distance measurement

Measurement range	20mm to 85mm
-------------------	--------------

Corneal diameter and pupil diameter measurement

Measurement range	1.0mm to 14.0mm
-------------------	-----------------

Main unit

Display type	10.4-inch color TFT-LCD
Dimensions and weight	312 (W) X 491 (D) X 450 (H)mm, Approx. 23.0 kg
Voltage	100 VAC to 240 VAC
Frequency	50/60 Hz
Power consumption	110 VA



- Multifunction in one instrument
- Speedy Alignment and Mode change
- Wide range alignment by image recognition
- Sharp measurement ring and Quick mode for Ref measurement
- Air flow control for Tonometry
- Pachy measurement to obtain accurate IOP
- Topo function to detect irregular corneal shape
- Dry eye observation software

One vision, Two sharp eyes with Our Innovation

MR-6000

Multifunction Unit

Simple but versatile in function



- Multifunction in one instrument
- Speedy Alignment and Mode change
- Wide range alignment by image recognition
- Sharp measurement ring and Quick mode for Ref measurement
- Air flow control for Tonometry
- Pachy measurement to obtain accurate IOP
- Topo function to detect irregular corneal shape
- Dry eye observation software



Tomey Corporation [Asia-Pacific]
 2-11-33 Noritakeshinmachi
 Nishi-ku, Nagoya, 451-0051, Japan
 Tel: ++81-52-581-5327
 Fax: ++81-52-561-4735
 E-mail: intl@tomey.co.jp

Tomey GmbH [Europe]
 Am Weichselgarten 19a
 91058 Erlangen Germany
 Tel: ++49-9131-77710
 Fax: ++49-9131-777120
 E-Mail: info@tomey.de

For more information, visit our web site <http://www.tomey.com>



One vision, Two sharp eyes with Our Innovation

MR-6000 Multifunction Unit

Simple but versatile in function

Multifunction in one instrument



Speedy Alignment and Mode change

Smooth interchange - no waiting! Efficient progression of examinations



Wide range alignment by image recognition

Auto alignment area is wider than our previous model RC-5000

Area in yellow shows auto-alignment detection area



RC-5000 (Previous model)

MR-6000

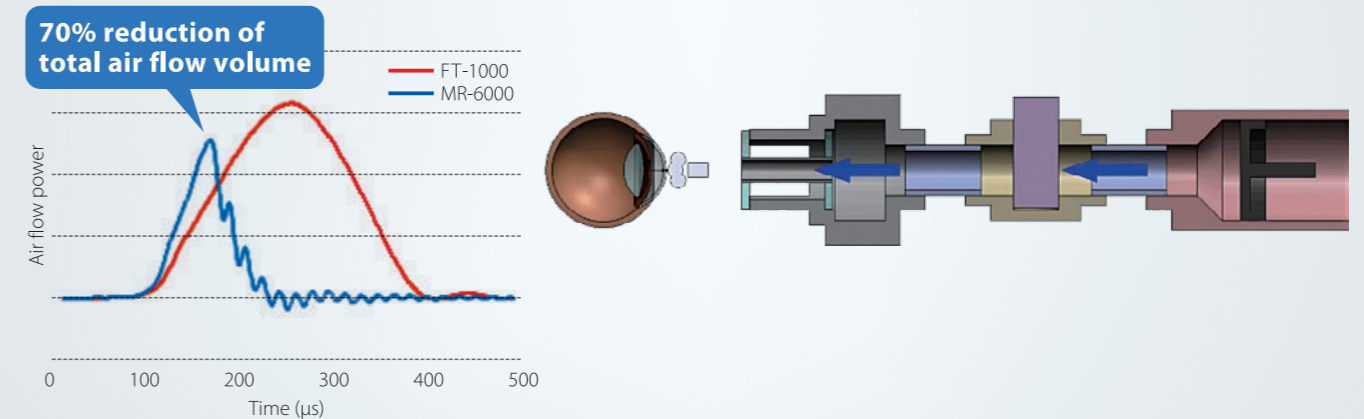


Quick Ref measurement display

Sharp measurement ring and Quick mode for Ref measurement

Air flow control for Tonometry

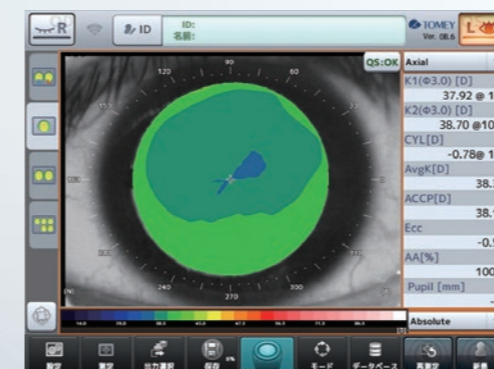
[Air flow pressure comparison between FT-1000 and MR-6000]



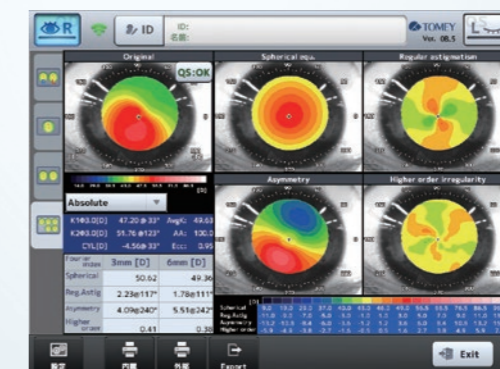
Pachy measurement to obtain accurate IOP

Topo function to detect irregular corneal shape

Fourier map is also included



Single map : post LASIK eye



Fourier analyze display

Dry eye observation software

- Meibomian glands
- Tear meniscus
- Blinking frequency
- Hyperaemia